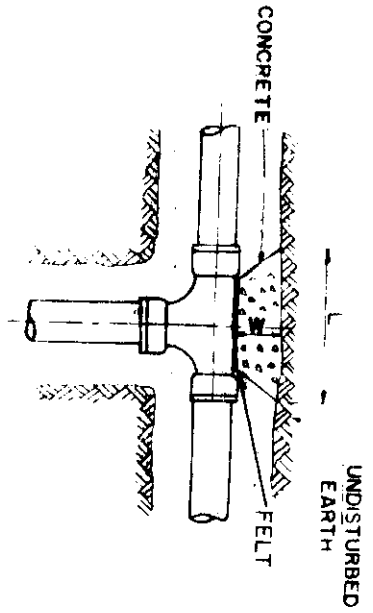


Write  
 Summary

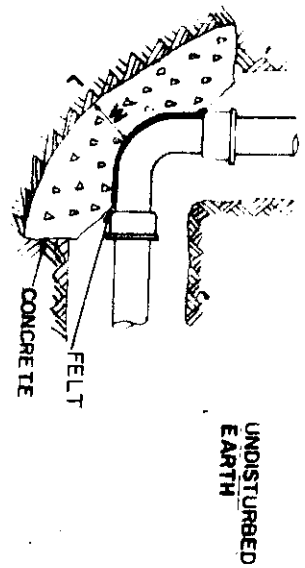
NUMBER OF 3/4" RODS REQUIRED

PIPE SIZE INCHES	12" AND LESS	14" AND 16"	18" AND 20"	24"
NUMBER OF RODS	2	4	6	8

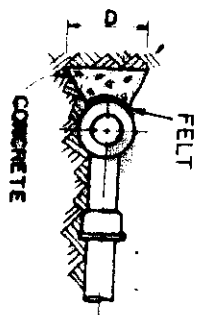
THRUST BLOCK SCHEDULE									
PIPE SIZE	TEE		22 1/2° BEND		45° BEND		90° BEND		W
	L	D	L	D	L	D	L	D	
6"	18"	15"	18"	12"	18"	12"	18"	15"	21"
8"	2'-0"	18"	18"	12"	18"	12"	2'-0"	18"	24"
12"	3'-0"	2'-0"	2'-0"	12"	2'-0"	12"	3'-0"	2'-0"	28"
16"	4'-0"	2'-6"	2'-0"	12"	2'-4"	18"	4'-0"	2'-6"	31"
20"	5'-3"	3'-0"	2'-0"	18"	3'-0"	2'-0"	5'-3"	3'-0"	33"
24"	7'-6"	3'-0"	3'-0"	18"	4'-0"	2'-6"	7'-6"	3'-0"	36"
30"	11'-0"	4'-0"	5'-0"	24"	6'-0"	4'-0"	11'-0"	4'-0"	40"



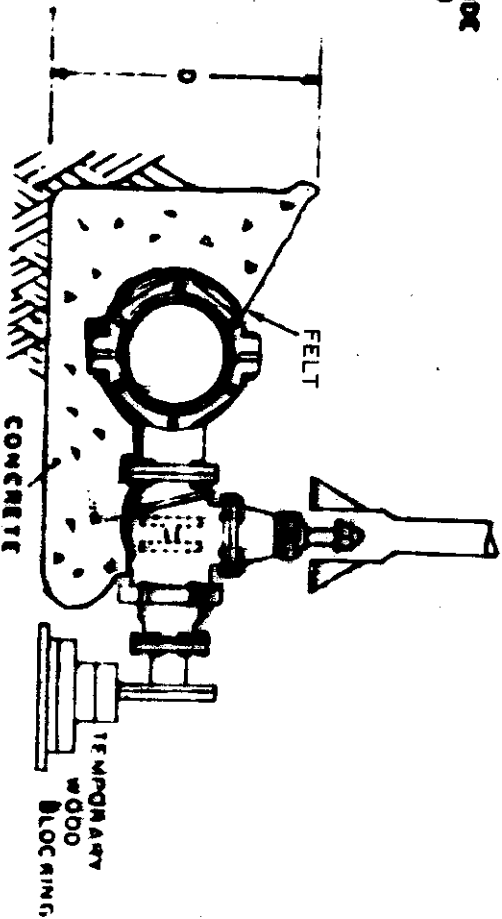
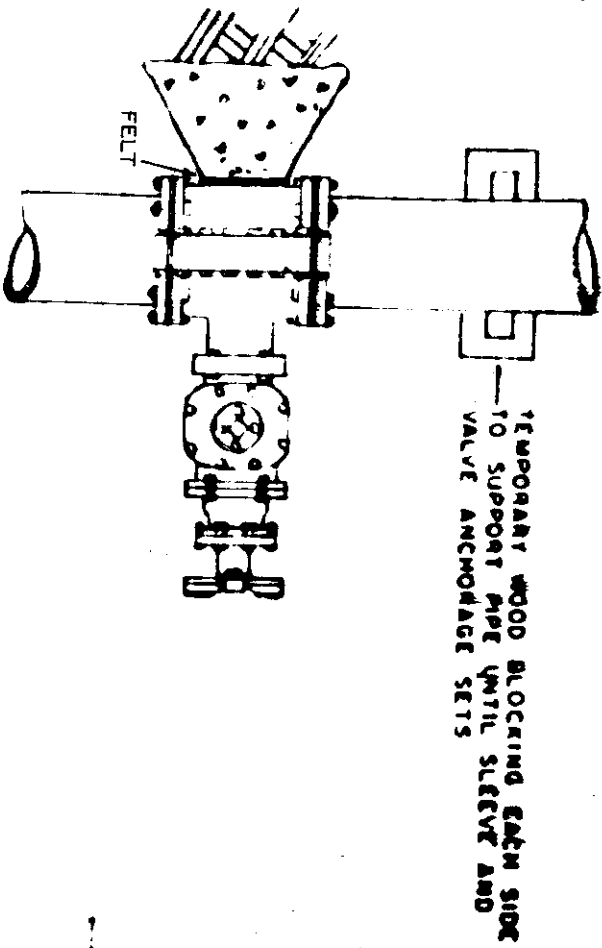
**PLAN--TEE**



**PLAN--90° BEND**

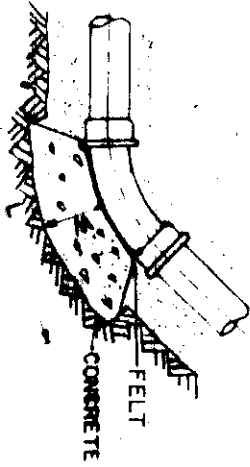


**ELEVATION AT FITTINGS**

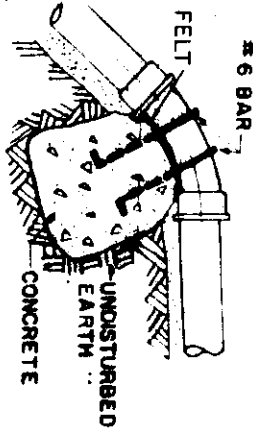


**TAPPING SLEEVE AND TAPPING VALVE DETAIL**

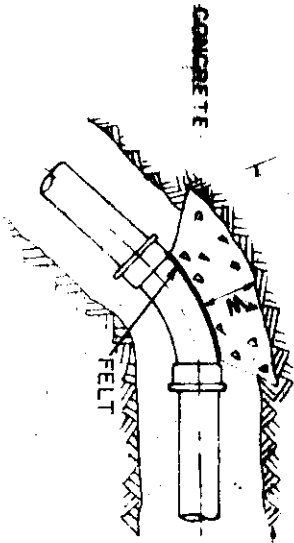
UNDISTURBED  
EARTH



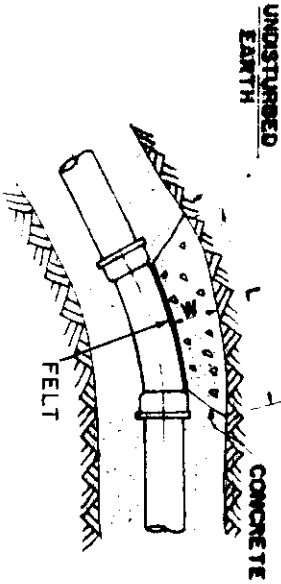
**VERTICAL BEND**



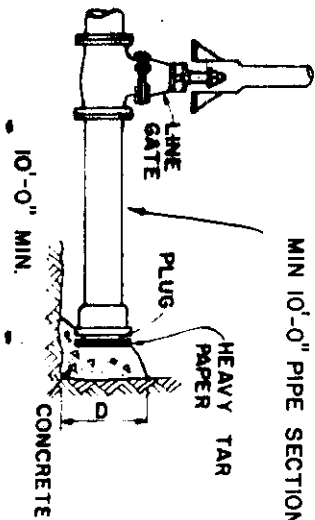
**ELEVATION-VERTICAL BEND**



**PLAN - 45° BEND**



**PLAN - 22 1/2° BEND**



**ELEVATION-PLUGGED PIPE**